

SeaPower™

Pressure-Tolerant Batteries



Kraken SeaPower™ pressure-tolerant batteries have the best energy-to-weight ratio on the market for deep sea batteries. SeaPower's deep-sea proven design operates at depths up to 6,000 m.

Undersea systems are exposed to extremely high-pressure environments. SeaPower's silicone encapsulated lithium-polymer cells are protected from the harmful effects of the seawater while still leaving them flexible and stable. This silicone encapsulation eliminates the need for pressure-tolerant housing and compensators, reducing both weight and costs.

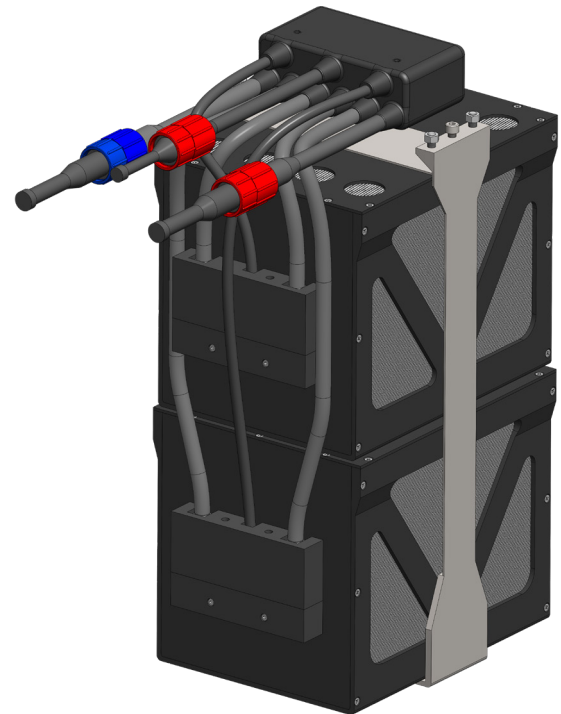
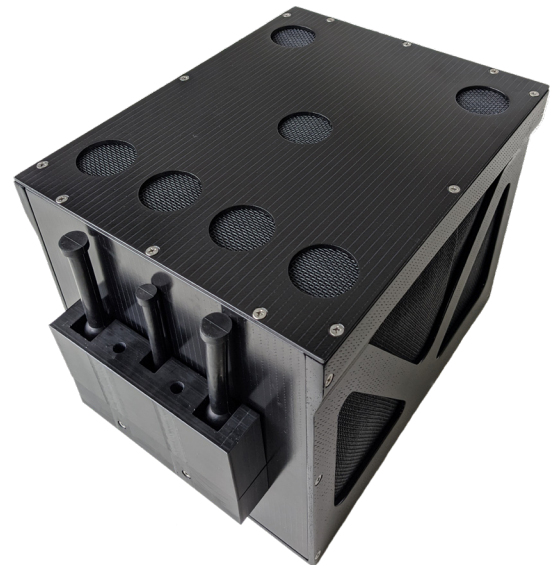
SeaPower's battery blocks can be used singularly or connected in a series of modular banks, depending on your requirement for capacity and voltage. Each battery block is equipped with an integrated Battery Management System (BMS) allowing you to quickly and easily monitor the status and health of the battery.

Features

- Reliable, rugged design
- High-energy density
- Oil compensation not required
- Modular system
- Diverse connector options
- Integrated Battery Management System (BMS)
- Data interfaces: CAN, RS485, or customer-specific

Applications

- Remotely Operated Vehicles (ROVs)
- Subsea Resident UUVs
- Autonomous Underwater Vehicles (AUVs)
- Stationary platforms
- Energy storage
- Subsea energy supply

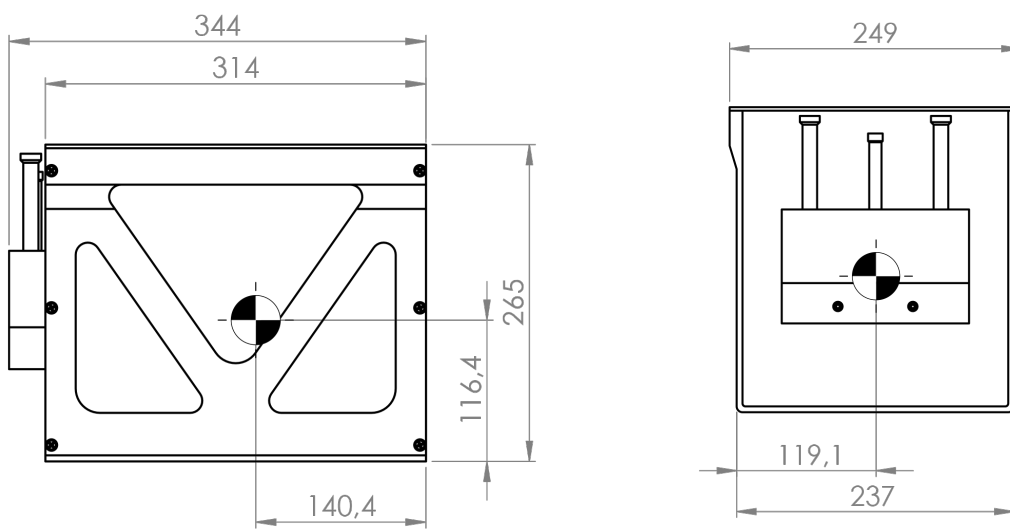


Top image: a standalone BMV57V52
Bottom image: represents two BMV57V52 connected to create a larger power source



BM57V52 and BM114V26 Specifications

	BM57V52	BM114V26
Operational depth	6,000 m	
Energy capacity	2.96 kWh; 50 Ah	2.6 kWh; 100 Ah
Voltage (Max)	58.1 V EOC	29.4 V EOC
Voltage (Nominal)	51.8 V	25.9 V
Voltage (Minimum)	42 V EOD	21 V EOD
Current (Continuous discharge)	28 A	
Current (Continuous charge)	28 A	
Charge time	3-5 hours	
Operating temperature (Charging)	10° C to 45° C	
Operating temperature (Discharging)	-10° C to 55° C @ 60±25% R.H.	
Life cycles	1000 cycles, 80% retention	
Life calendar	Up to 10 years, 80% retention	
Life storage	Up to 10 years, 80% retention, SOC 50 ±5%	
Power connector	Subconn BH8F/M (red/blue)	
Weight	32 kg	
Water Displacement	20 L	
Dimensions (LxWxH)	344 mm x 249 mm x 265 mm	



Measurements above are in millimeters

